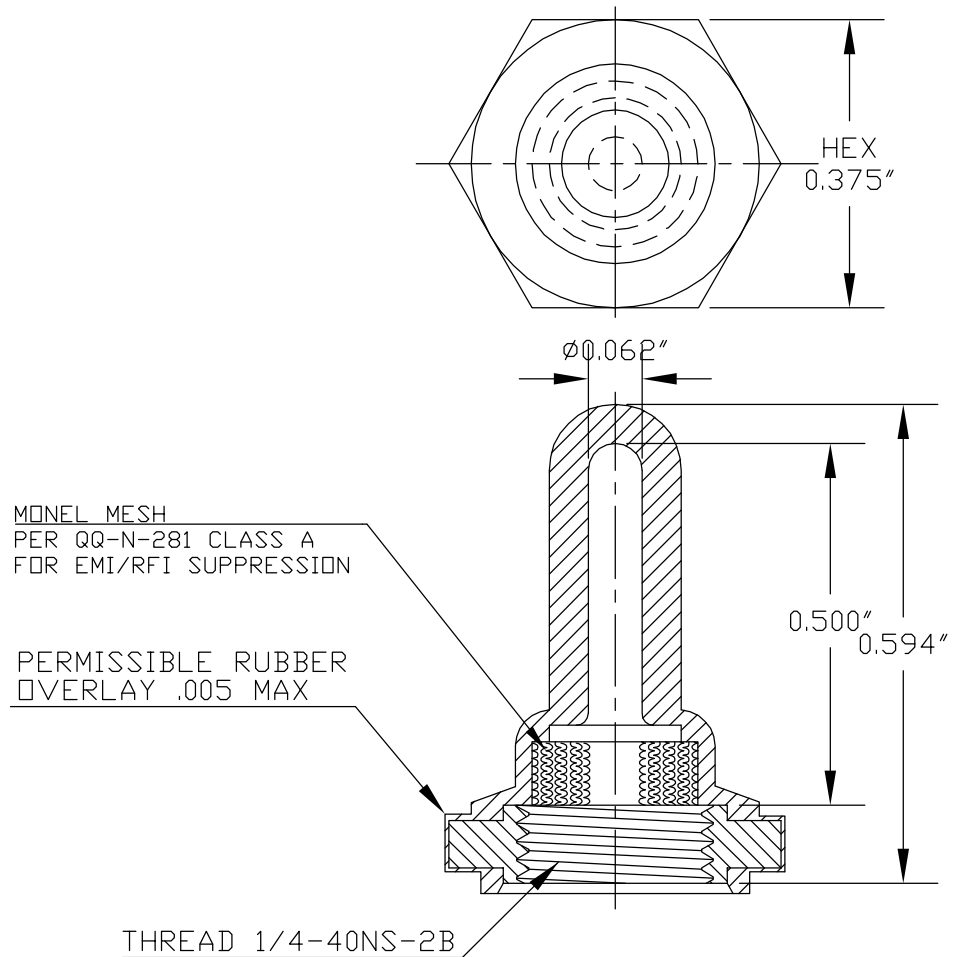


SPECIFICATIONS

Material: HEXSEALS: Silicone rubber conforms to A-A-59588 Class III, GR 50 (unless otherwise specified)
Mounting Nut: HEXSEALS: Brass, nickel-plated
Temperature Range: HEXSEALS: -94°F to +400°F
Pressure Range: Exceeds 15 psi internal and 1500 psi external. (N5032B: 10 psi)
Operational Life: 50,000 actuations (minimum).
Shelf Life: Excess of 25 years.
Resistant to: Salt spray, sunlight, ozone, weather, fungus, and most acids and lubricating oils
Agency Recognition: E-SEELS and HEXSEALS are UL-listed to UL Std. 50 types 1-13, and meet CSA standards.
Installation: If a reducing adaptor is required - see page 14 of HEXSEAL catalog HEX200 for part numbers and drawing.



F	MAT'L CHANGED and REDRAWN	S. GOK	06.25.09
E	CAD COMPUTER GENERATED		09.23.02
D	UPDATED and REDRAWN	R.C.	07.14.76
REV.	DESCRIPTION		DATE
MAXIMUM AND MINIMUM MEASUREMENTS ARE STATED DIRECTLY ON EACH DIMENSION.			
MAT'L: SILICONE RUBBER PER A-A-59588 CL III GR50	TITLE: EMI/RFI SHIELDED BOOT TOGGLE SWITCH (N-5030S RFI)	ENG. S. GOK DWN. N. K. STEIGER CHKD. J. CELLA	06.25.09 08.30.65 06.25.09
FINISH: GRAY	APM-HEXSEAL CORPORATION	SCALE 4:1 DWG. NO. (N-5030S RFI) HEXSEAL®	

THIS DRAWING COVERS PROPRIETARY ITEM AND IS THE PROPERTY OF THE APM-HEXSEAL CORPORATION.
 THIS DRAWING IS NOT TO BE COPIED OR USED WITHOUT THE WRITTEN APPROVAL OF AN OFFICER OF THE APM-HEXSEAL CORPORATION.